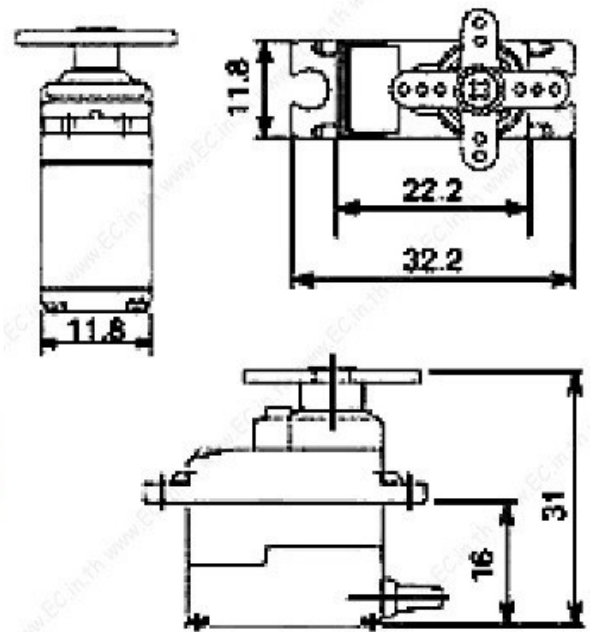


SG90 9 g Micro Servo

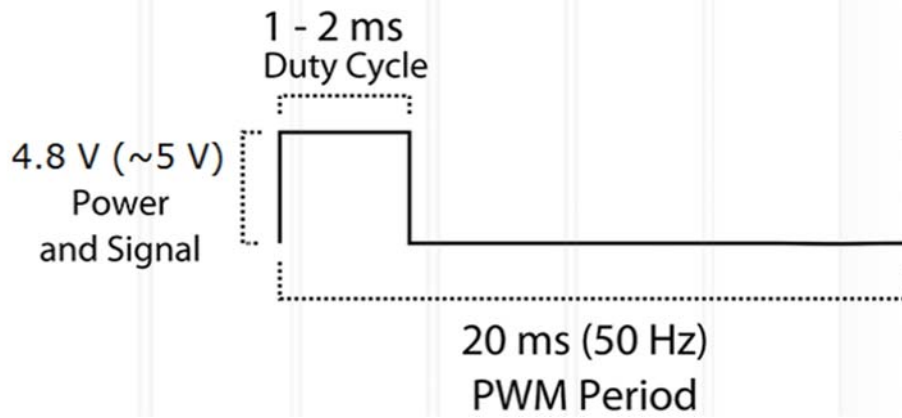
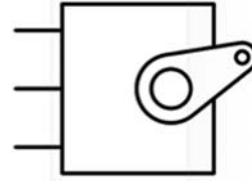


Tiny and lightweight with high output power. Servo can rotate approximately 120 degrees (60 in each direction), and works just like the standard kinds but *smaller*. You can use any servo code, hardware or library to control these servos. Good for beginners who want to make stuff move without building a motor controller with feedback & gear box, especially since it will fit in small places. It comes with a 3 horns (arms) and hardware.

Specifications

- Weight: 9 g
- Dimension: 22.2 x 11.8 x 31 mm approx.
- Stall torque: 1.8 kgf·cm
- Operating speed: 0.1 s/60 degree
- Operating voltage: 4.8 V (~5V)
- Dead band width: 10 μ s
- Temperature range: 0 °C – 55 °C

PWM=Orange (⏏)
Vcc = Red (+)
Ground=Brown (-)



Position "0" (1.5 ms pulse) is middle, "45" (~2 ms pulse) is all the way to the right, "-45" (~1 ms pulse) is all the way to the left.